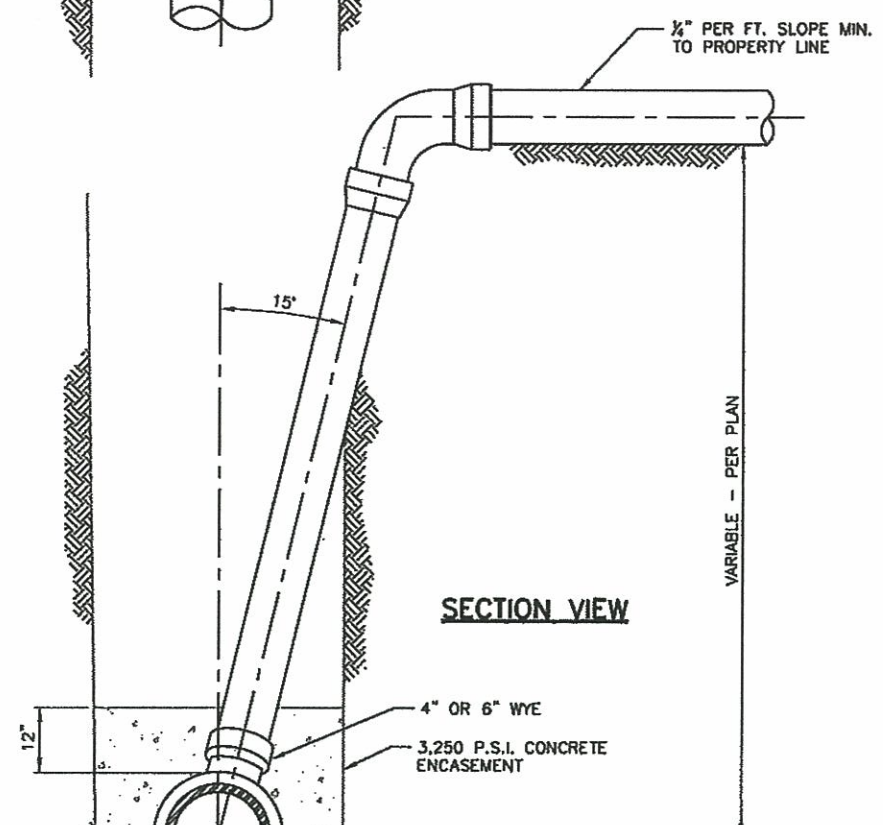


PLAN VIEW



SECTION VIEW



NOTES:

1. FOR DEEP CUT LATERAL GREATER THAN 8-INCH USE EPOXY LINED DUCTILE IRON AS SPECIFIED.
2. VERTICAL PIPE SHALL BE BRACED WHILE BACKFILLING TRENCH.
3. MODIFY CONNECTION PER DRAWING 203 FOR EXISTING MAIN CONNECTIONS

REV.	DESCRIPTION	DATE	APP'D

Cucamonga Valley Water District
DEEP CUT SEWER LATERAL

Cucamonga Valley Water District
 ENGINEERING DEPARTMENT
 10140 ASHFORD STREET, RANCHO CLAYMONGA, CA 91129
 (909) 537-2531

APPROVED BY:

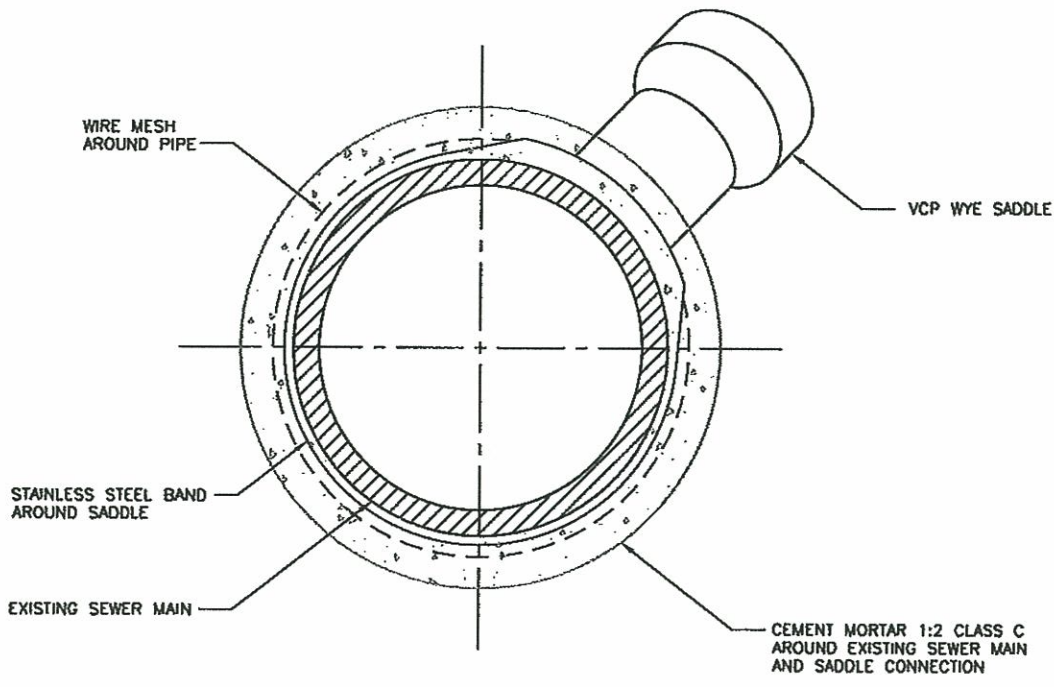
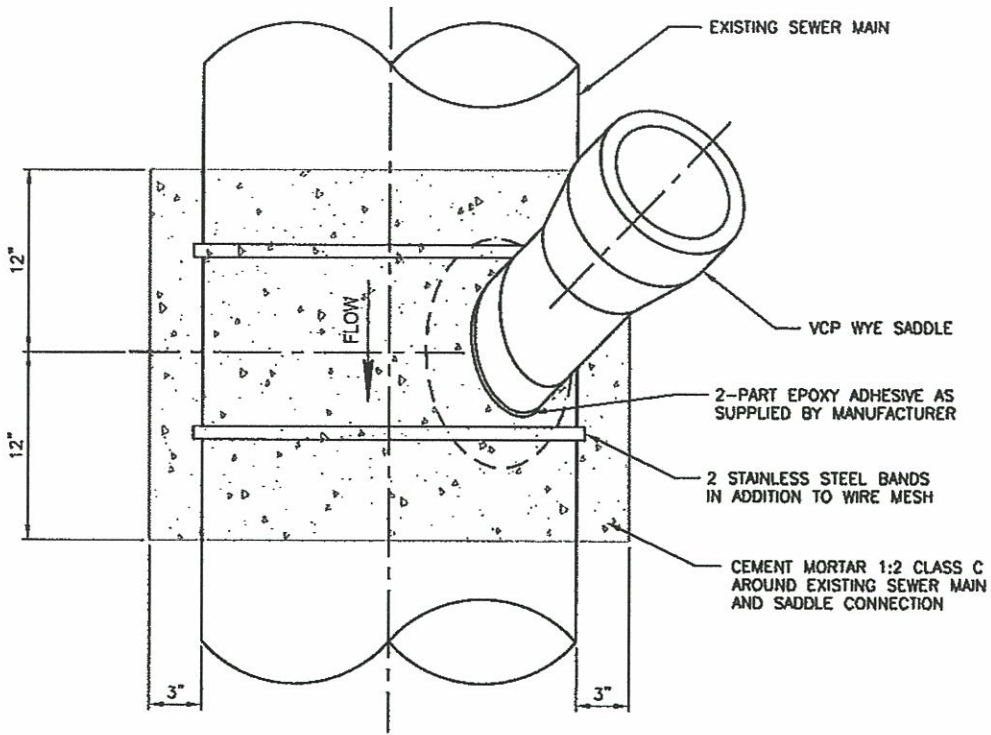
JOHN BOSKER P.E., DIRECTOR OF OPERATIONS & ENGINEERING

DATE: **6-11-09**

STD. DWG.

202

SHT. 1 OF 1



REV.	DESCRIPTION	DATE	APP'D

Cucamonga Valley Water District
VCP WYE SADDLE ON EXISTING MAIN

Cucamonga Valley Water District
 ENGINEERING DEPARTMENT
 10140 ASHFOOT STREET, RANCHO CLAYMONGE, CA 91729
 (909) 537-2531

APPROVED BY:

JOHN BOSKER P.E., DIRECTOR OF OPERATIONS & ENGINEERING

6-11-09
DATE

STD. DWG.

203

SHT. 1 OF 1