

H. R. LABOUNTY SAFETY AWARDS PROGRAM NOMINATION FORM



Agency: Western Municipal Water District

Employee Nominated:

Name: Omar Haro, Richard Gonzalez & Tresa Huffman

Job Classification: Meter Services Ops Tech III & Customer Service Manager

Reason for Nomination:

Found a new polymer meter box lid that is made of recycled materials to replace our existing concrete lids. The benefits of this new lid are:

1. Lighter in weight. Employees are less likely to have a shoulder or back injury from lifting the heavy concrete lids. They will also be easier for the customer to lift.
2. They are environmental friendly. Made with recycle materials and can be recycled at the end of their useful life.

This nomination addresses risk reduction "best practices" in the JPIA's
Commitment to Excellence Program.
(Check all that apply.)

<input type="checkbox"/>	Vehicle Operations
<input type="checkbox"/>	Construction
<input checked="" type="checkbox"/>	Ergonomics/Falls
<input type="checkbox"/>	Infrastructure
<input type="checkbox"/>	Other

Nominated by: Tresa Huffman
Signature: *Tresa Huffman*
Date: 3-8-18
General Manager: *[Signature]*
Date: 3/21/18

Please email this form with supporting documents and digital photos to tlofing@acwajpia.com or mail to: ACWA JPIA, P.O. Box 619082, Roseville, CA 95661-9082.



SUPPLEMENTAL INFORMATION

District staff Omar Haro, Richard Gonzalez and Tresa Huffman have identified a potentially hazardous condition that could contribute to back and shoulder injuries when lifting existing concrete meter box lids. They researched and found an alternative meter box and lid that is made from recycled materials and provides a 61% reduction in weight for the larger meter box lids, and a 65% reduction in weight for the smaller meter box lids.

This effort is supportive of the District's Ergonomics Program in reducing back and shoulder strain through an engineering change, the most effective method of change to prevent injury.

The tables below provide supplemental information to quantify the benefit of the switch to the recycled material composite meter box lids:

LID SIZE	LID WEIGHT - CONCRETE (LBS)	LID WEIGHT - POLYMER (LBS)	WEIGHT DIFFERENCE (LBS)
5 - 1/4	41	16	-25
4-1/2	23	8	-15

The District has completed 15,384 Work Orders to replace the existing concrete lids with the new polymer lids.

LID SIZE	WORK ORDERS	LIFTING POUNDS SAVED	COMPARATIVE MEASUREMENT
5 - 1/4	10768	269,200	134.6 TONS
4-1/2	4615	69,228	34.6 TONS

When the weight being lifted by the meter readers and other field staff is reduced by such a significant amount, the potential for back and shoulder strain is dramatically reduced. The potential for injury, lost or restricted work time and associated Workers' Compensation costs is reduced which has positive effects for the District:

- Improved morale
- Greater productivity

An additional benefit is for the customer who may have an occasional need to open their meter box to shut off the water to perform home maintenance. This will aid them by making the access to the meter easier and potentially reducing the chance of injury to the customer.



WATER

METER

DFW

1924



FERGUSON WATERWORKS #1078
 32543 CORYDON RD
 UNIT B
 LAKE ELSINORE, CA 92530-9130
 Phone: 951-674-1323
 Fax: 951-674-1084

Deliver To:	
From:	Matt Wilkinson 
Comments:	

23:34:38 APR 12 2017

Page 1 of 1

FERGUSON WATERWORKS #1078
 Price Quotation
 Phone: 951-674-1323
 Fax: 951-674-1084

Bid No: B285912
Bid Date: 03/08/17
Quoted By: MPW

Cust Phone: 951-789-5123
Terms: NET 10TH PROX

Customer: WESTERN MUNICIPAL WATER DI
 14205 MERIDIAN PARKWAY
 METER SALES ONLY
 RIVERSIDE, CA 92503

Ship To: WESTERN MUNICIPAL WATER DI
 14205 MERIDIAN PARKWAY
 METER SALES ONLY
 RIVERSIDE, CA 92503

Cust PO#:

Job Name: DFW MTR BOX PRICING

Item	Description	Quantity	Net Price	UM	Total
	4.5 METER BOX AND LID				
DDFW486SA4TLID	18X11 C GRAY TR LID NO HOOK	1	37.000	EA	37.00
SP-DDFW486SAC412BD	18X11X12 GRAY "C" POLYMER BODY	1	55.000	EA	55.00
	SUBTOTAL				92.00
	5.25 METER BOX AND LID				
SP-DDFW1324C4TLID	13X24 C GRAY TR NOHK MTR BX LID	1	51.000	EA	51.00
DDFW1324CH412BODY	13X24X12 C GRAY HVY PLYMR BDY	1	73.500	EA	73.50
	SUBTOTAL				124.50
	6B METER BOX AND LID				
SP-DDFWPW6C4TLID	17X30 C GRAY TR NOHK MTR BX LID	1	77.000	EA	77.00
DDFWPW6C412BODY	17X30X12 C GRAY PLYMR BDY MTR BOX	1	83.000	EA	83.00
	SUBTOTAL				160.00
Net Total:					\$376.50
Tax:					\$29.18
Freight:					\$0.00
Total:					\$405.68

Quoted prices are based upon receipt of the total quantity for immediate shipment (48 hours). SHIPMENTS BEYOND 48 HOURS SHALL BE AT THE PRICE IN EFFECT AT TIME OF SHIPMENT UNLESS NOTED OTHERWISE. QUOTES FOR PRODUCTS SHIPPED FOR RESALE ARE NOT FIRM UNLESS NOTED OTHERWISE.

CONTACT YOUR SALES REPRESENTATIVE IMMEDIATELY FOR ASSISTANCE WITH DBE/MBE/WBE/SMALL BUSINESS REQUIREMENTS.

Seller not responsible for delays, lack of product or increase of pricing due to causes beyond our control, and/or based upon Local, State and Federal laws governing type of products that can be sold or put into commerce. This Quote is offered contingent upon the Buyer's acceptance of Seller's terms and conditions, which are incorporated by reference and found either following this document, or on the web at http://wolselena.com/terms_conditionsSale.html.
 Govt Buyers: All items are open market unless noted otherwise.

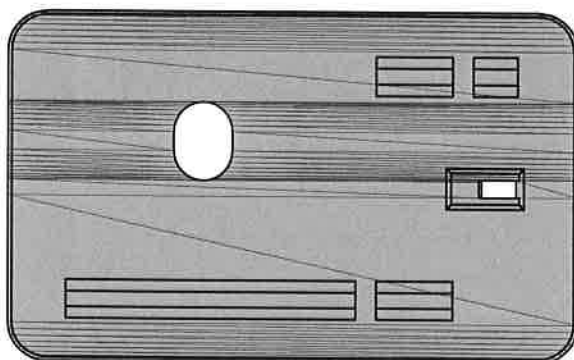
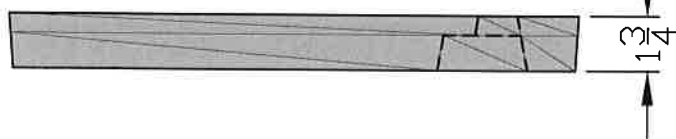
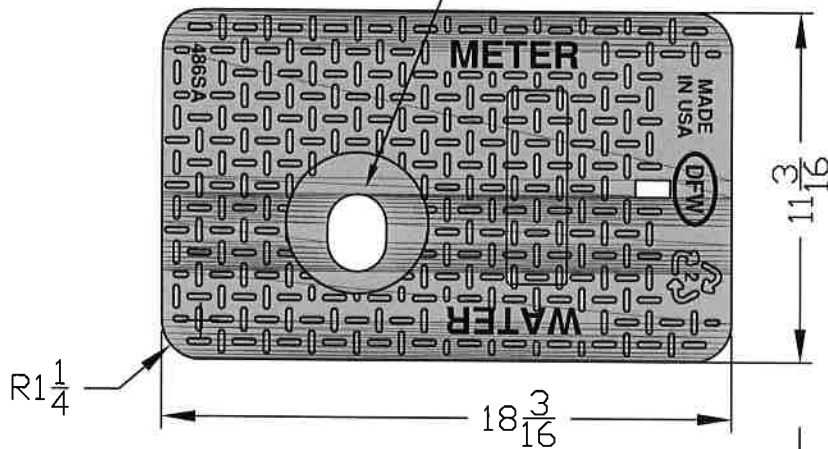
LEAD LAW WARNING: It is illegal to install products that are not "lead free" in accordance with US Federal or other applicable law in potable water systems anticipated for human consumption. Products with "NP in the description are NOT lead free and can only be installed in non-potable applications. Buyer is solely responsible for product selection.

WATER FLOW RATE NOTICE: Lavatory Faucets with flow rates over 0.5 GPM are not allowed for 'public use' in California.



Ø4 5/8 x 1/4 DEEP
RECESS FOR AMR PAD
W/ Ø1.88 x 2.50 SLOT
FOR TOUCH READ

LID KEY	
4	GRAY COLOR - PMS 414C
T	TOUCH READ HOLE
<>	NO LID HOOK



NOTES

- 1) DIM'S ± 1/8" U.N.O.
- 2) LID MATERIAL: HDPE

DFW PLASTICS, INC. ENGAGES IN ONGOING RESEARCH AND DEVELOPMENT TO IMPROVE AND ENHANCE ITS PRODUCTS. THEREFORE, DFW PLASTICS, INC. RESERVES THE RIGHT TO CHANGE PRODUCT OR SYSTEM SPECIFICATIONS WITHOUT NOTICE.



DFW PLASTICS, INC.
PO BOX 648
BEDFORD, TEXAS 76095
(817) 439-3600
(817) 439-3700 (f)
www.dfwplasticsinc.com

DFW486SA-4T<>-LID

CREATED: 01/16/2015

UPDATED: 01/16/2015

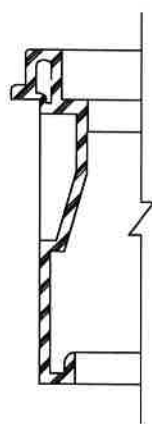
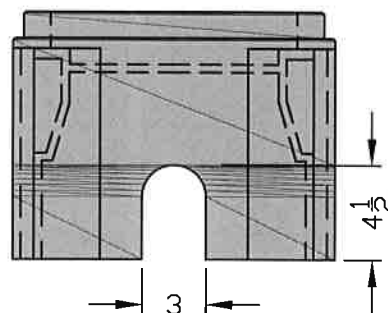
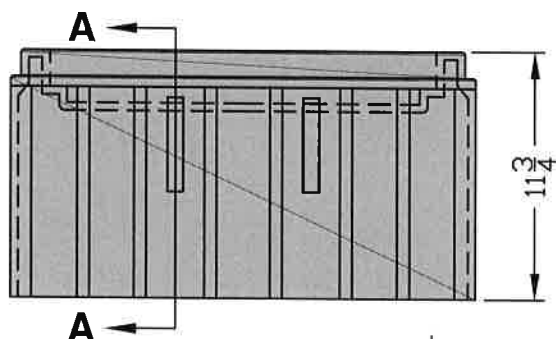
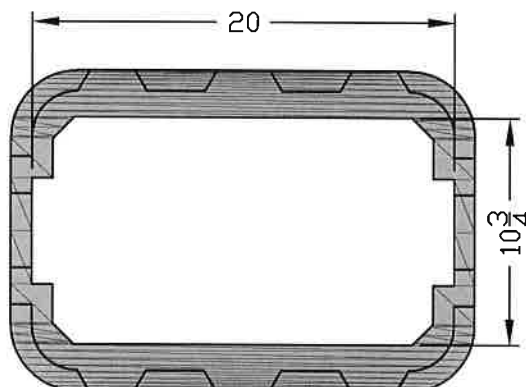
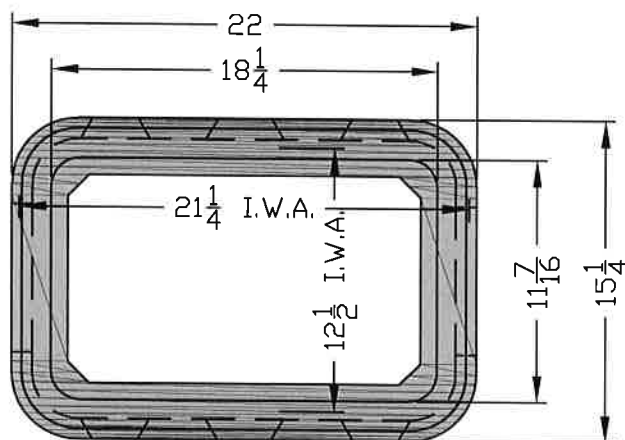
ACCEPTED: JMc

DRAWN BY: RMc

PLOT SCALE: 1:6



BODY KEY	
WB	WIDE BODY SERIES
C	CONCRETE SERIES
4	GRAY COLOR - PMS 414C
12	12" BODY DEPTH



KISS OFF DETAIL
SECTION A-A

NOTES

- 1) DIM'S ± 1/8 U.N.O.
- 2) BODY MATERIAL: LLDPE
- 3) WALL THICKNESS: 3/8 ± 5%
- 4) I.W.A. = INSIDE WORK AREA

DFW PLASTICS, INC. ENGAGES IN ONGOING RESEARCH AND DEVELOPMENT TO IMPROVE AND ENHANCE ITS PRODUCTS. THEREFORE, DFW PLASTICS, INC. RESERVES THE RIGHT TO CHANGE PRODUCT OR SYSTEM SPECIFICATIONS WITHOUT NOTICE.



DFW PLASTICS, INC.
PO BOX 648
BEDFORD, TEXAS 76095
(817) 439-3600
(817) 439-3700 (f)
www.dfwplasticsinc.com

DFW486WBC4-12-BODY

CREATED: 11/15/2015

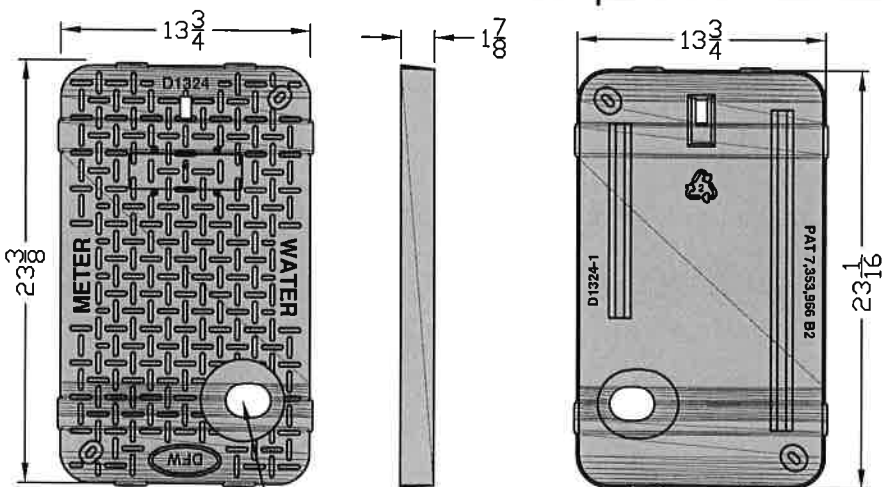
UPDATED: 11/15/29015

ACCEPTED: JMc

DRAWN BY: RMc

PLOT SCALE: 1:10

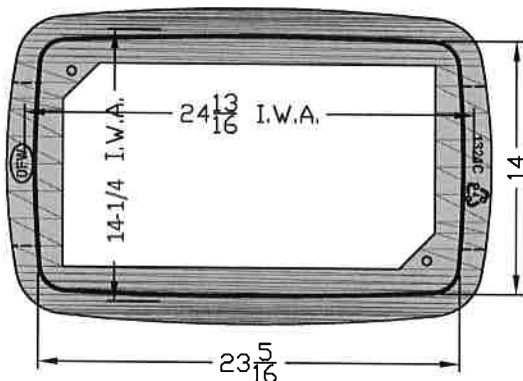
THIS DRAWING IS THE PROPERTY OF DFW PLASTICS, INC.



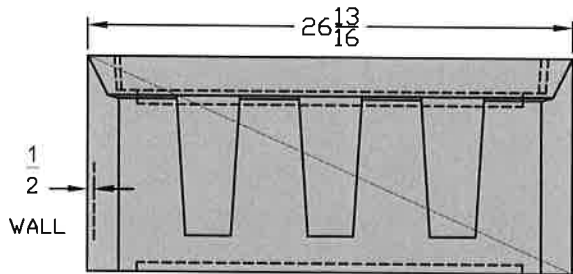
Ø4 5/8 x 1/4 DEEP RECESS FOR AMR PAD
W/ Ø1.88 x 2.50 TOUCH READ HOLE FOR AMR

DFW1324C-4T<>-LID

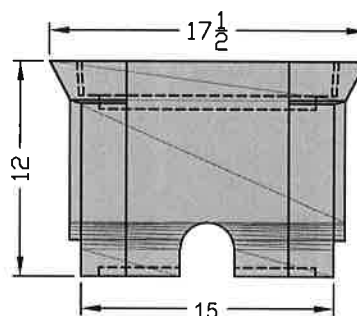
LID KEY	
4	GRAY COLOR
T	TOUCH READ HOLE
<>	NO LID HOOK



DFW1324CH4-12-4T <>



DFW1324CH4-12-BODY



NOTES

- 1) DIM'S ± 1/8" U.N.O.
- 2) LID MATERIAL: HDPE
- 3) BODY MATERIAL: LLDPE
- 4) WALL THICKNESS: 1/2" ± 5%
- 5) I.W.A. = INSIDE WORK AREA

DFW PLASTICS, INC. ENGAGES IN ONGOING RESEARCH AND DEVELOPMENT TO IMPROVE AND ENHANCE ITS PRODUCTS. THEREFORE, DFW PLASTICS, INC. RESERVES THE RIGHT TO CHANGE PRODUCT OR SYSTEM SPECIFICATIONS WITHOUT NOTICE.



DFW PLASTICS, INC.
PO BOX 648
BEDFORD, TEXAS 76095
(817) 439-3600
(817) 439-3700 (f)
www.dfwplasticsinc.com

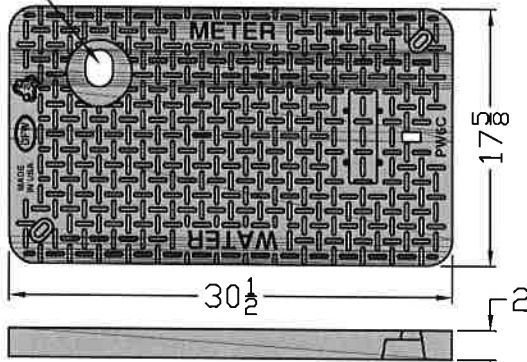
DFW1324CH4-12-4T <>

CREATED:	12/16/2015
UPDATED:	12/16/2015
ACCEPTED:	JMc
DRAWN BY:	RMc
PLOT SCALE:	1:10

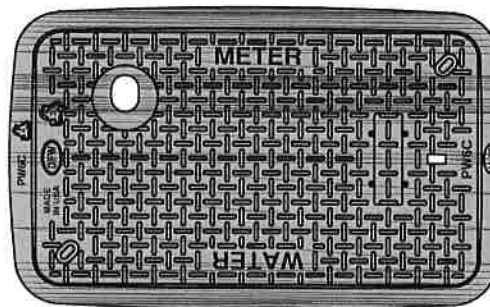
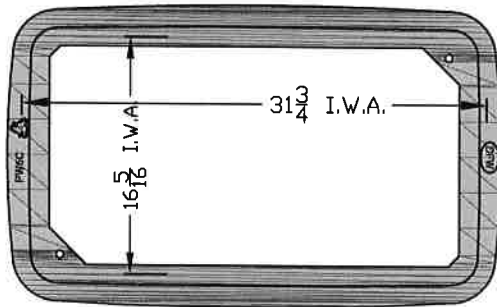
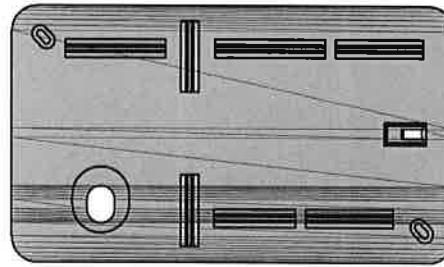
THIS DRAWING IS THE PROPERTY OF DFW PLASTICS, INC.



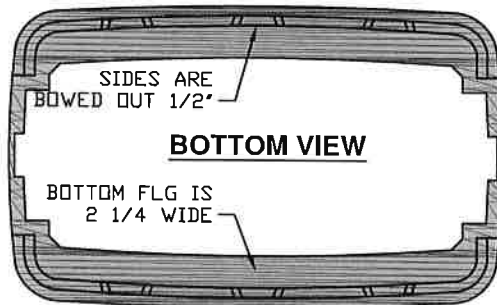
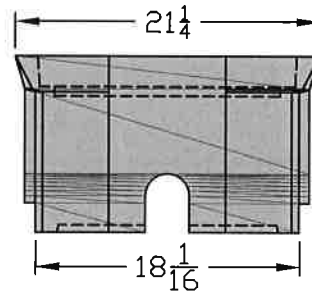
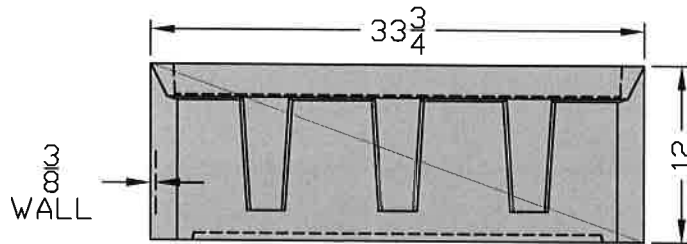
Ø4 5/8 x 1/4 DEEP RECESS FOR
AMR PAD w/ 1/8 x 2 1/2 TOUCH READ
HOLE FOR AMR ENDPOINT.



DFWPW6C-4T<->-LID



DFWPW6C4-12-4T<->



BODY KEY	
4	GRAY COLOR -- PMS 414C
12	12" DEEP

LID KEY	
4	GRAY COLOR -- PMS 414C
T	TOUCH READ HOLE
<>	NO LID HOOK

NOTES

- 1) DIM'S ± 1/8" U.N.O.
- 2) LID MATERIAL: HDPE
- 3) BODY MATERIAL: LLDPE
- 4) WALL THICKNESS: 3/8" ± 5%
- 5) I.W.A. = INSIDE WORK AREA

DFWPW6C4-12-BODY

DFW PLASTICS, INC. ENGAGES IN ONGOING RESEARCH AND DEVELOPMENT TO IMPROVE AND ENHANCE ITS PRODUCTS. THEREFORE, DFW PLASTICS, INC. RESERVES THE RIGHT TO CHANGE PRODUCT OR SYSTEM SPECIFICATIONS WITHOUT NOTICE.



DFW PLASTICS, INC.
PO BOX 648
BEDFORD, TEXAS 76095
(817) 439-3600
(817) 439-3700 (f)
www.dfwplasticsinc.com

DFWPW6C4-12-4T<>

CREATED:	12/20/2015
UPDATED:	12/20/2015
ACCEPTED:	JMc
DRAWN BY:	RMc
PLOT SCALE:	1:12

THIS DRAWING IS THE PROPERTY OF DFW PLASTICS, INC.



Recycling

DFW believes that protecting our environment will help all of us live cleaner, drink cleaner water, and breathe cleaner air. That is why DFW has been using recycled materials in our products since 1978. All of our current products can be recycled at the end of their product life. To learn more about recycling, please check out the United States Environmental Protection Agency (EPA) [website](#) on recycling.



Current Recycle Symbols used on our products:



HDPE



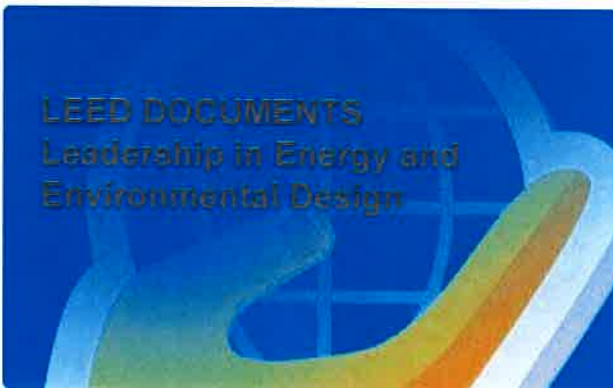
LDPE



PP

WHY DFW?





[Home](#) [Our Company](#) [Products](#) [Resources](#) [Contact Us](#)

© 2018 DFW Plastics inc. All rights reserved.

