



# H. R. LABOUNTY SAFETY AWARD PROGRAM NOMINATION FORM

**Agency:** Yorba Linda Water District

**Employee Nominated:**

**Name:** Nick Hollon, Jorge Lopez and Robert Cuellar

**Job Classification:** Maintenance Distribution Operator II, Maintenance Distribution Operator III, and Maintenance Worker I

**Reason for Nomination:**

Occasionally, it is necessary to launch the sewer inspection camera from the drop side section of a gravity main. In the past, this required confined space entry to manually launch the camera across the drop.

Solution: The "DropShot" acts as a bridge that can be inserted into the sewer main to cover the drop. The camera can then be lowered onto the "DropShot" and then driven across the drop. All of this work can be performed top-side and no longer requires the need for someone to enter the confined space. The two-man sewer inspection crew can operate as usual without having to schedule time to bring in a third man for the confined space work. Thus eliminating a safety hazard and saving the District money by eliminating the need for the third person on-site during these operations.

**Nominated by:** Jeremy Smith, Safety and Training Technician

**Signature:** *Jeremy Smith*

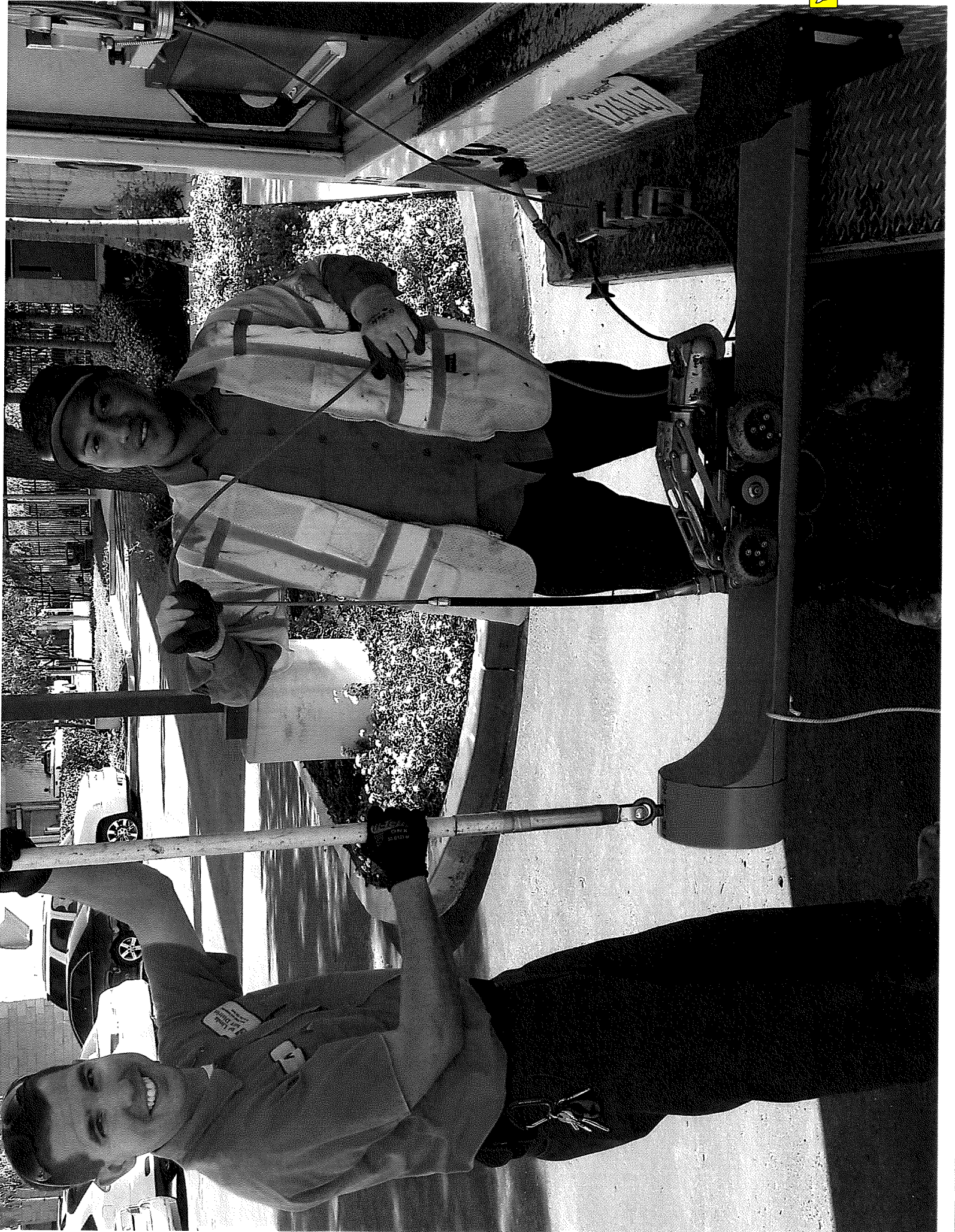
**Date:** 3/28/2017

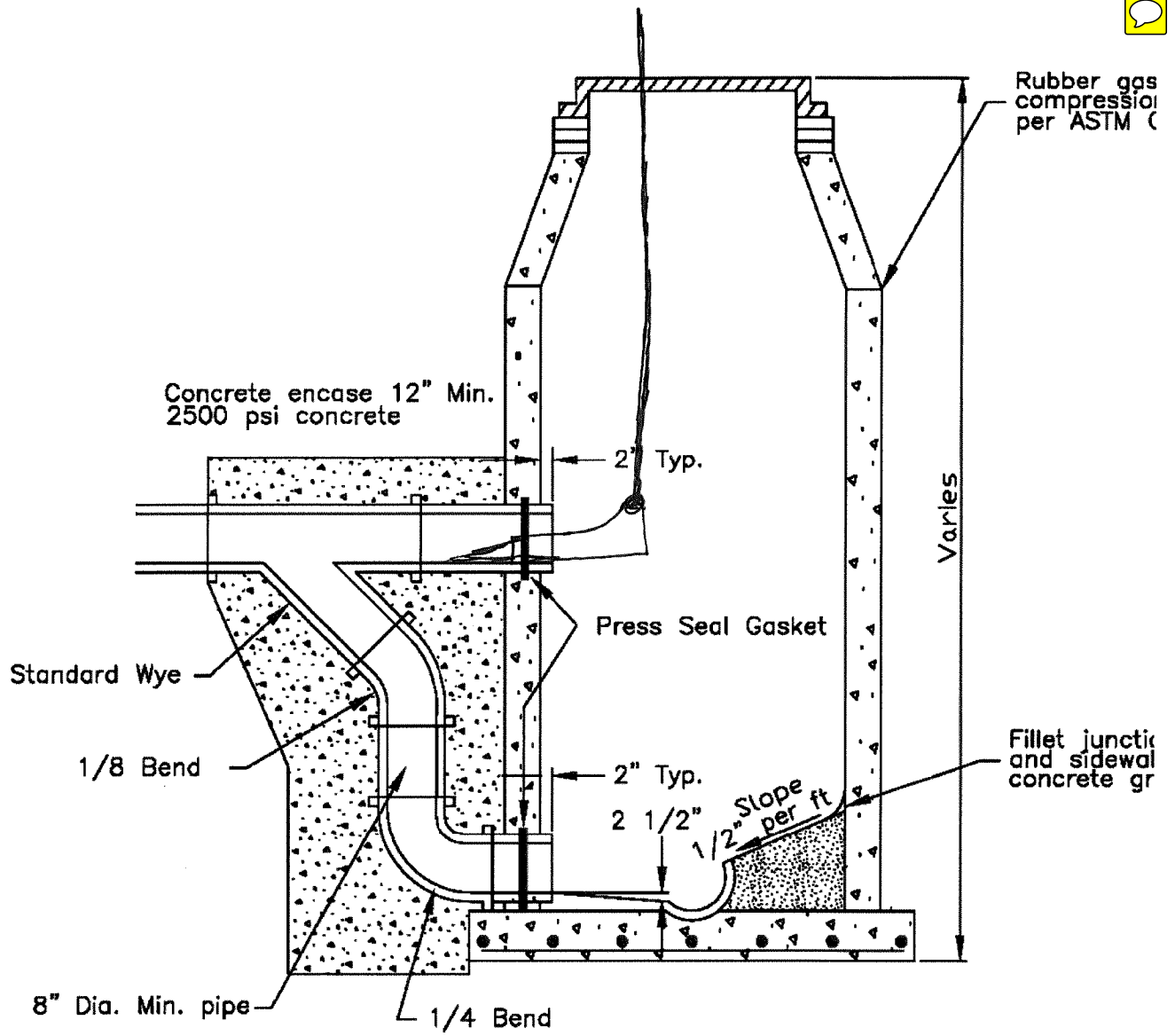
**General Manager:** *Marc Marcantonio*

**Date:** 3/28/17

Please email this form with supporting documents and digital photos to [tlofing@acwajpia.com](mailto:tlofing@acwajpia.com) or mail to:

ACWA JPIA  
P.O. Box 619082  
Roseville, CA 95661-9082  
FAX: (916) 774-7040





Note:  
Price for drop fittings and encasement to be included with the price of manhole